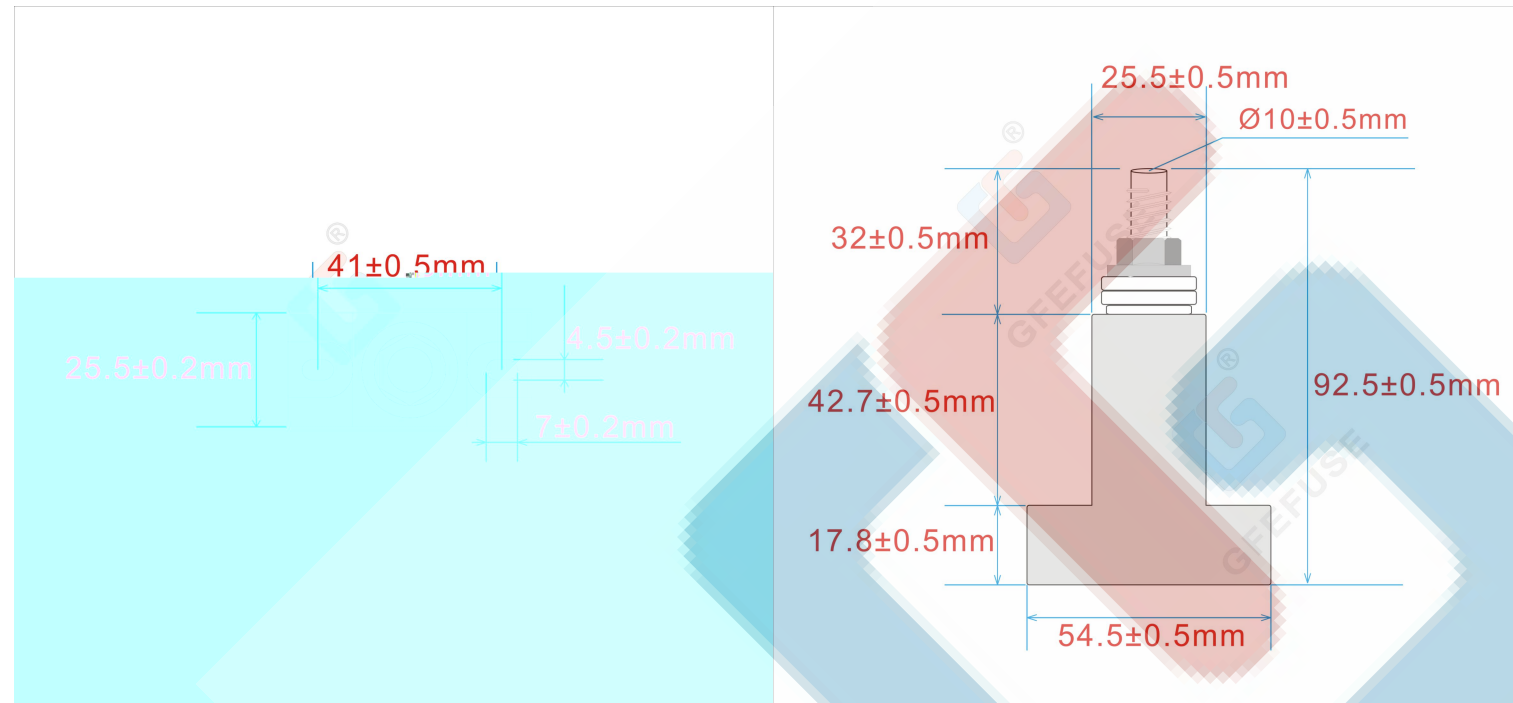


[®]-400

()

1. Installation Dimensions of Product Shape



2. ;

1. Product Type: GFEFUSE[®]:GFEV[®]-400H

2. Voltage Rating 500 V -1500 V

3. Ampere Ratings 50A- 2000A

4. Withstand Rating 200kA

5. Fire Grade:UL-94V0

6. Base material:Phenolic plastics

7. Hardware Contact: Carbon Steel/8.8 Strength

8..Products for charging pile and DC power supply, energy storage battery

Promotion: The company's products are not notified of changes