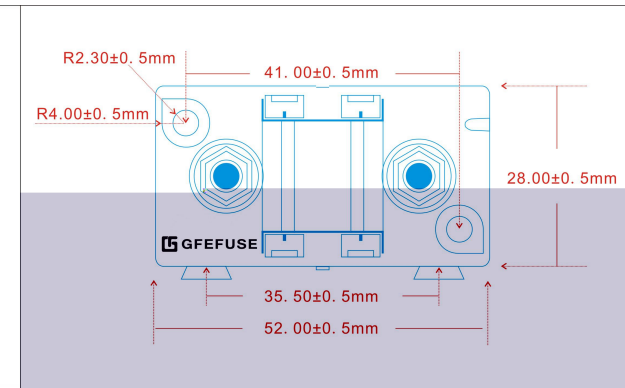
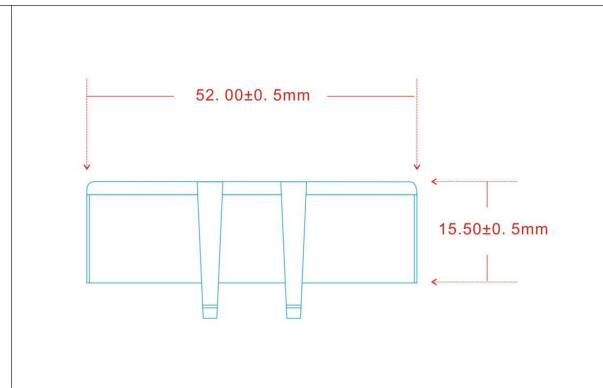
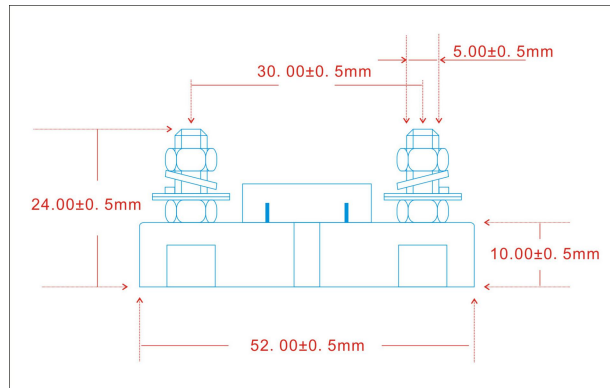


Dongguan GongFu Electronics Co.Ltd. GFEFUSE[®] Focus on car fuse and accessories



1. Product model: GFEV(200) (GFEFUSE[®])Automobile fuse seat (automobile fuse box)

2. Base: PA66 (UL-94V0) Fasteners: Stainless steel 304 (DIN934)

3. Electrical performance: DC: 12V-125V Current: 30A-200A

4. Matching: Small Fork Bolt Fuse (ANL-C[®] Series GFEFUSE[®] Brand)

5. Product Practical Small Signal Processing Circuit, Mobile Power Supply, Charger, Battery, Communication, etc.

6. Product Appearance Patent

Promotion: The company's products are not notified of changes

TEL:0769-82391938 81100206

FAX:0769-82391939

<http://www.gfefuse.com>