

GFEV2 series Semiconductor fuse



1. Purpose and Use

2. Normal working conditions

Ambient air temperature

Normal service conditions: -5 ~ 40 ; Permissible conditions: -40 ~ +125 ;

When the fuse works at above 40 , the rated current needs additional correction factor -Kt reference guide manual;

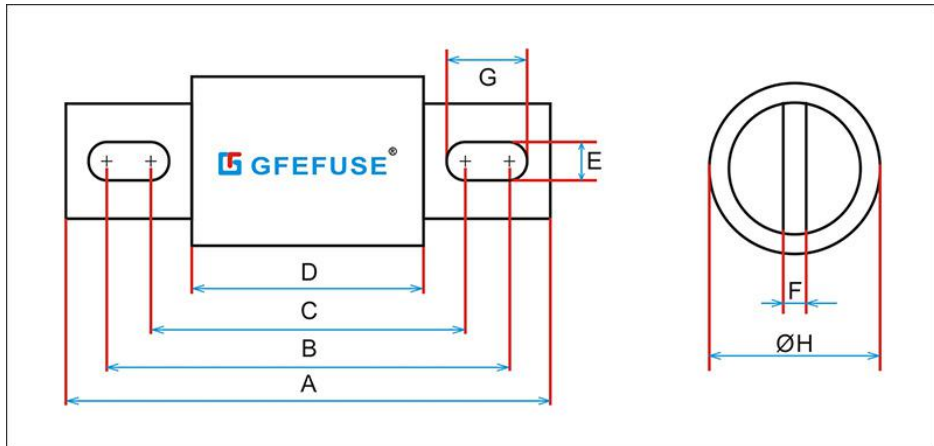
3. Use categories

"aR" stands for full range protection fast fuse.

4. Structural characteristics of

This product fusion tube adopts the special material, high temperature resistant, flame retardant high performance, hardness is strong, the melt made of 99.99% pure silver variable cross-section melt encapsulated in the fuse tube, fuse tube is filled with chemical treatment of high purity quartz sand and special chemical materials as arcing medium, contact the silver plating processing, ensure reliable electrical performance, greatly reduces the temperature rise and power consumption; Both ends of the melt are firmly connected by spot welding and contact, which greatly enhances the safety and reliability of the fault current.

5. Main dimension parameters



6.Product parameter data table

No	Rated current A	I ² T(A ² S)		power waste W	Rated voltage(V)	model
		Fore arc	Fusing			
1	35	47	207	4	250V/300V	GFEV2035
2	40	57	282	5	250V/300V	GFEV2040
3	45	76	355	5.5	250V/300V	GFEV2045
4	50	97	468	5.7	250V/300V	GFEV2050
5	60	133	681	7	250V/300V	GFEV2060
6	70	317	1288	8	250V/300V	GFEV2070
7	80	408	1684	8.5	250V/300V	GFEV2080
8	90	553	2230	9.6	250V/300V	GFEV2090
9	100	703	2899	12.1	250V/300V	GFEV2100
10	125	1085	4413	11.9	250V/300V	GFEV2125
11	150	1539	6325	17.7	250V/300V	GFEV2150

Dongguan GongFu Electronics Co.Ltd. GFEFUSE® Focus: fuse holder and fuse

12	175	2083	8556	20.9	250V/300V	GFEV2175
13	200	2076	10920	23.5	250V/300V	GFEV2200
14	225	3050	13524	26	250V/300V	GFEV2225
15	250	4801	16290	29	250V/300V	GFEV2250
16	275	4484	19656	30	250V/300V	GFEV2275
17	300	5700	24843	31	250V/300V	GFEV2300
18	350	10176	44226	37	250V/300V	GFEV2350
19	400	13920	60812	42	250V/300V	GFEV2400
20	450	21216	90900	47	250V/300V	GFEV2450
21	500	26880	116480	52	250V/300V	GFEV2500
22	600	39456	172960	59	250V/300V	GFEV2600

TEL:0769-82391938 81100206

FAX:0769-82391939

<http://www.gfefuse.com>

7.characteristic curve:

